

 ENGLISH

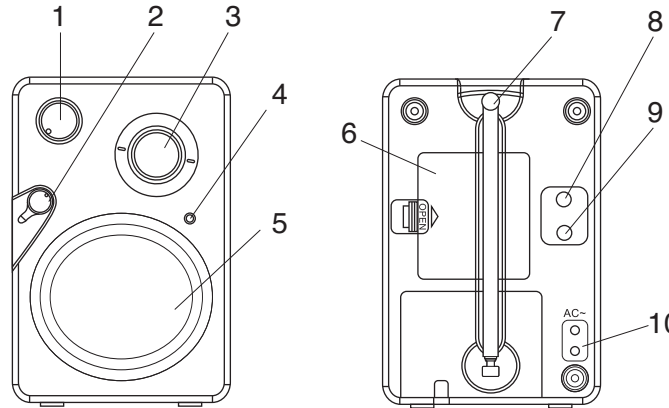
# DENVER ELECTRONICS®

## TR-43 FM RADIO

### Operating Instructions



#### Location Of Controls



- |                                 |                        |
|---------------------------------|------------------------|
| 1. VOLUME CONTROL KNOB          | 6. BATTERY COMPARTMENT |
| 2. STANDBY/BAND SELECTOR SWITCH | 7. FM ANTENNA          |
| 3. TUNING CONTROL KNOB          | 8. AUXILIARY INPUT     |
| 4. POWER INDICATOR              | 9. HEADPHONE JACK      |
| 5. SPEAKER                      | 10. AC POWER CORD      |

#### Setup

For use with battery power, remove the Battery Compartment Cover and insert six "AA" size alkaline batteries, observing the proper polarity (+/-) as indicated inside the Battery Compartment. Reattach Battery Compartment Cover.

For use with electrical AC power, plug the AC Power Cord into a standard 230-volt AC electrical outlet.

#### To Use

1. Turn the Band Selector Switch to FM.
2. Turn the Volume Control Knob clockwise to adjust the volume to the desired level.
3. Select station by rotating the Tuning Knob.
4. Extend and adjust the telescoping FM Antenna for clearest reception.
5. To listen to an external input source such as a portable CD player or MP3 player, plug a patch cable (not included) from the external device into the 3.5mm AUX IN Jack on the rear of the unit.
6. When finished using your radio, turn the Band Selector Switch to the "STANDBY" position.

#### NOTES:

- For best FM reception, extend the Telescoping FM Antenna to its full length.
- Be sure your headphones have a 3.5mm stereo plug. When headphones are connected, the speakers will be automatically disconnected. Adjust the volume control to the desired level.

#### Care and Maintenance

**CAUTION:** Do not allow any liquids on the inside of the product.

- Use a soft, damp cloth to clean the unit's exterior.
- Never use benzene or other strong chemical cleaners, as these could damage the product's finish.
- The rear panel behind the AC Power Cord is not a cover for a power cord storage compartment; do not remove.

COPYRIGHT DENVER ELECTRONICS A/S

**DENVER**  
www.denver-electronics.com



#### Instructions on environment protection

Do not dispose of this product in the usual household garbage at the end of its lifecycle; hand it over at a collection point for the recycling of electrical and electronic appliances. The symbol on the product, the instructions for use or the packing will inform about the methods for disposal.

The materials are recyclable as mentioned in this marking. By recycling, material recycling or other forms of re-utilization of old appliances, you are making an important contribution to protect our environment.

Please inquire at the community administration for the authorized disposal location.

